

1043FL Series Flanged Double Eccentric Butterfly Valve

SPECIFICATIONS

- 30"-72" COMPLY WITH ANSI/AWWA C504-2010
- EPDM RING CLAMPED ON DISC
- ACTUATOR READY WITH TOP FLANGE IN ACCORDANCE WITH ISO5211-1
- OPERATED BY GEARBOX
- FLANGES TO ANSI B16.1 CLASS 125
- NSF61

WORKING PRESSURE

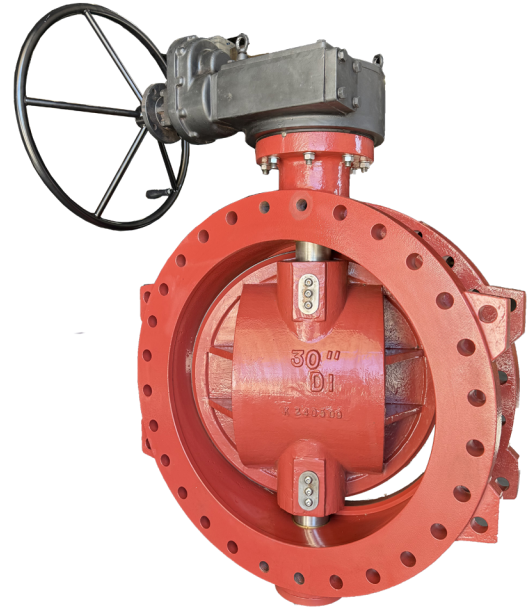
- 250 PSI OPERATING PRESSURE (CLASS 250B)

WORKING TEMPERATURE

- 14°F TO 248°F FOR EPDM LINER

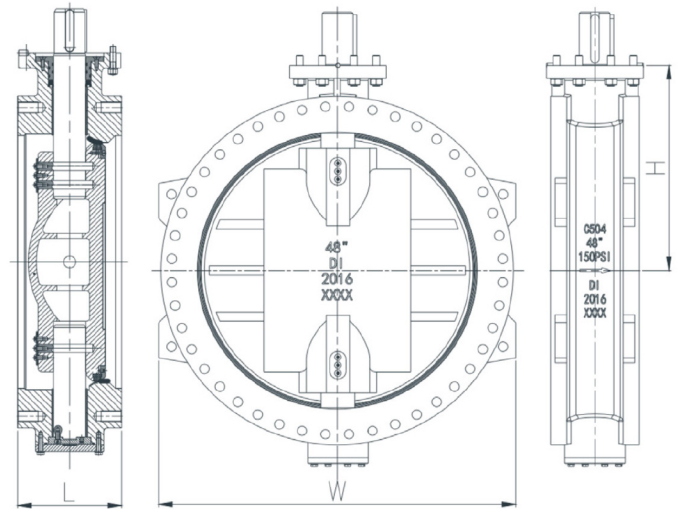
CORROSION PROTECTION

- INTERNALLY AND EXTERNALLY FUSION BONDED EPOXY PAINTED



COMPONENTS

PART NAME	MATERIAL	SPECIFICATION
BODY	DUCTILE IRON	A536 GRADE 65-45-12
DISC	DUCTILE IRON	A536 GRADE 65-45-12
SHAFT	STAINLESS STEEL STAINLESS STEEL	ASTM A276 TYPE 304/316 ASTM A564 TYPE 630 FOR CLASS 250B
GLAND	DUCTILE IRON	A536 GRADE 65-45-12
DISC T-SEALING RING	EPDM	ASTM D2000, RUBBER
DISC HOLDER PLATE	STAINLESS STEEL	ASTM A276 TYPE 304
O-RING	NBR	ASTM D2000, RUBBER
DISC PIN	STAINLESS STEEL	ASTM A276 TYPE 304
BOTTOM CAP	DUCTILE IRON	A536 GRADE 65-45-12
ADJUSTING SPACER	BRONZE	ASTM B62 C83600
SHAFT BUSHING	BRONZE	ASTM B62 C83600
SHAFT RETAINER	STAINLESS STEEL	ASTM A276 TYPE 304
BOLT/NUT/WASHER	STAINLESS STEEL	ASTM A276 TYPE 304



DIMENSIONS

(INCHES)

SIZE	30"	36"	42"	48"	54"	60"	66"	72"
L	12	12	12	15	15	15	18	18
H	24.5	28.5	32.5	35	39	43	49	52.5
W	40	47.5	54.5	60.5	67	74	81	87.5