

## 1043MJ Series MJ Double Eccentric Butterfly Valve

### SPECIFICATIONS

- 30"-48" COMPLY WITH ANSI/AWWA C504-2010
- EPDM RING CLAMPED ON DISC
- ACTUATOR READY WITH TOP FLANGE IN ACCORDANCE WITH ISO5211-1
- OPERATED BY GEARBOX
- FLANGES TO ANSI B16.1 CLASS 125
- NSF61

### WORKING PRESSURE

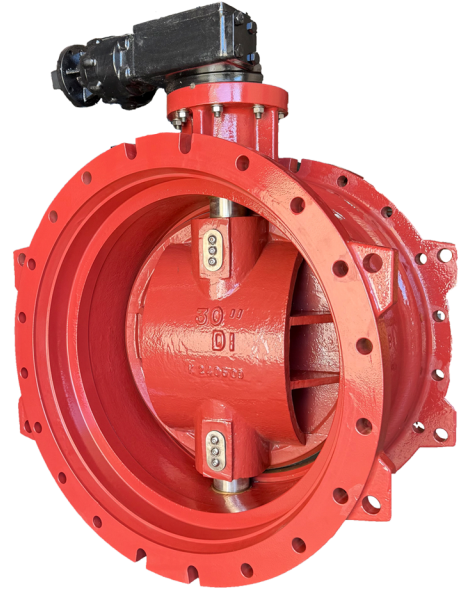
- 250 PSI OPERATING PRESSURE (CLASS 250B)

### WORKING TEMPERATURE

- 14°F TO 248°F FOR EPDM LINER

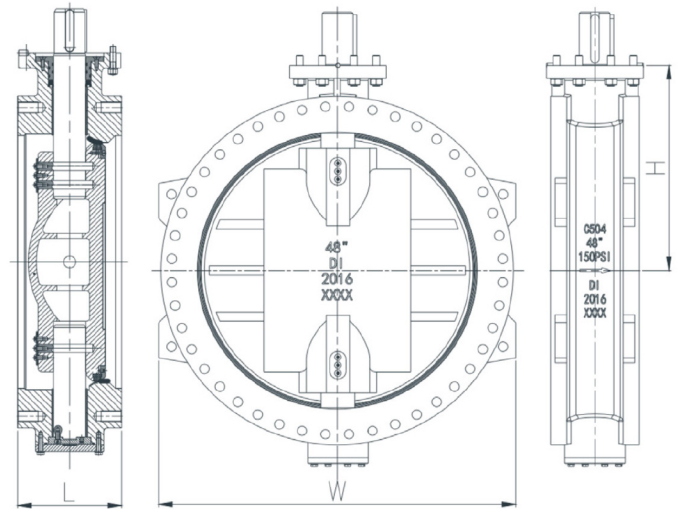
### CORROSION PROTECTION

- INTERNALLY AND EXTERNALLY FUSION BONDED EPOXY PAINTED



### COMPONENTS

PART NAME	MATERIAL	SPECIFICATION
BODY	DUCTILE IRON	A536 GRADE 65-45-12
DISC	DUCTILE IRON	A536 GRADE 65-45-12
SHAFT	STAINLESS STEEL	ASTM A276 TYPE 304/316
	STAINLESS STEEL	ASTM A564 TYPE 630 FOR CLASS 250B
GLAND	DUCTILE IRON	A536 GRADE 65-45-12
DISC T-SEALING RING	EPDM	ASTM D2000, RUBBER
DISC HOLDER PLATE	STAINLESS STEEL	ASTM A276 TYPE 304
O-RING	NBR	ASTM D2000, RUBBER
DISC PIN	STAINLESS STEEL	ASTM A276 TYPE 304
BOTTOM CAP	DUCTILE IRON	A536 GRADE 65-45-12
ADJUSTING SPACER	BRONZE	ASTM B62 C83600
SHAFT BUSHING	BRONZE	ASTM B62 C83600
SHAFT RETAINER	STAINLESS STEEL	ASTM A276 TYPE 304
BOLT/NUT/WASHER	STAINLESS STEEL	ASTM A276 TYPE 304



### DIMENSIONS

SIZE	(INCHES)			
	30"	36"	42"	48"
L	22.01	22.01	24.02	25.98
H	29.53	34.65	39.17	44.09