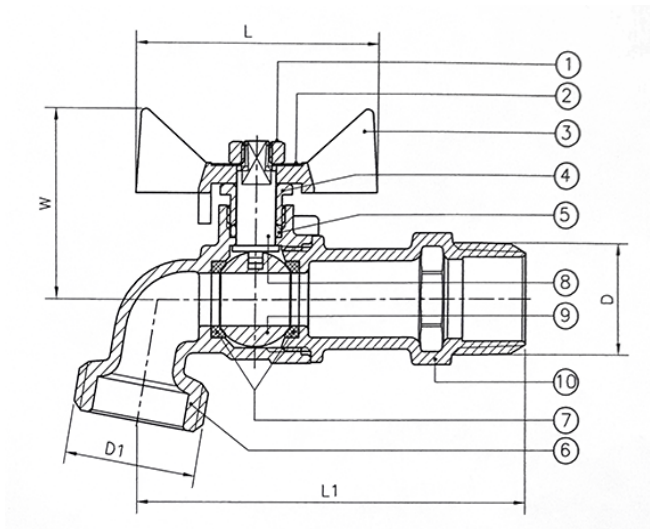


## 704 Series 1/4 Turn Brass Hose Bibb



### SPECIFICATIONS

- TEMPERATURE RATING: 250°F
- PRESSURE RATING: 200 WOG
- CONNECTION: MIP × MHT
- CHROME PLATED

DIMENSIONS		(INCHES)				
SIZE	D	D1	L	L1	W	
1/2" MIP × 1/2" FC×C × 3/4" MHT	1/2" NPT	3/4" NH	1.93	3.11	1.40	
3/4" MIP × 3/4" MHT	3/4" NPT	3/4" NH	1.93	3.11	1.40	

COMPONENTS		
NO.	PART NAME	MATERIAL
1	NUT	FORGED BRASS C26000
2	NAME PLATE	ALUMINUM A1100
3	HANDLE	ZINC Z30A
4	PACKING NUT	BRASS ROD C37700
5	PACKING	TEFLON POLYFLON PTFE M-392
6	BODY	CAST BRASS C85700
7	BALL PACKING	TEFLON POLYFLON\ PTFE M-392
8	STEM	BRASS ROD C37700
9	BALL	BRASS ROD C37700
10	BONNET	CAST BRASS C85700