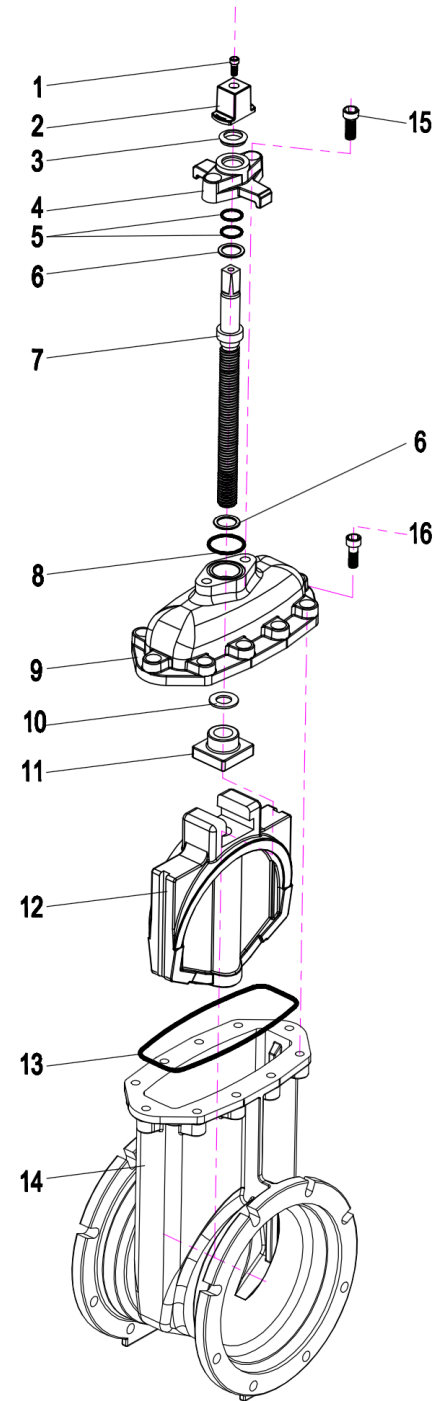


## 806 Series AWWA Resilient Seated Gate Valve NRS



### COMPONENTS

NO.	PART NAME	MATERIAL
1	TOP BOLTS	STAINLESS STEEL AISI 304
2	OPEARTING NUT	DUCTILE IRON ASTM A536
3	DUST CAP	RUBBER EPDM
4	GLAND	DUCTILE IRON ASTM A536
5	O-RING	RUBBER EPDM
6	STEM BUSHING	NYLON / BRASS ASTM B124 C33770
7	STEM	STAINLESS STEEL AISI 304
8	O-RING	RUBBER EPDM
9	BONNET	DUCTILE IRON ASTM A536
10	WEDGE NUT GASKET	RUBBER EPDM
11	WEDGE NUT	BRASS
12	WEDGE	DUCTILE IRON EPDM
13	BONNET GASKET	RUBBER EPDM
14	BODY	DUCTILE IRON ASTM A536
15	GLAND BOLT	STAINLESS STEEL
16	BONNET BOLT	STAINLESS STEEL