

806 Series AWWA C515 NRS Resilient Seated Gate Valve, Mechanical Joint

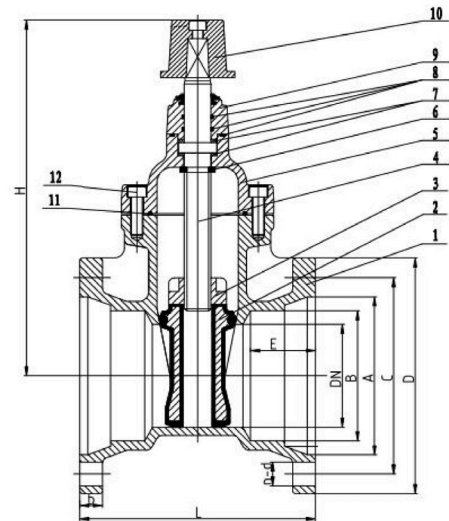
SPECIFICATIONS

- DESIGN STANDARD AWWA C515
- NON-RISING STEM, RESILIENT SEATED
- FACE TO FACE: ASME B16.10
- MJ ENDS CONFORM WITH AWWA C111/A21.11
- INSPECTION & TESTING: AWWA C515
- FUSION BONDED EPOXY COATED INTERIOR AND EXTERIOR TO AWWA C550 STANDARD
- WORKING PRESSURE: 300 PSI
- WORKING TEMPERATURE: -4°F TO 185°F
- OPERATOR: HANDWHEEL, 2" OPERATING NUT, GEARBOX
- OPEN RIGHT AVAILABLE UPON REQUEST



COMPONENTS

NO.	PART NAME	MATERIAL
1	BODY	DUCTILE IRON ASTM A536
2	WEDGE	DUCTILE IRON EPDM
3	WEDGE NUT	BRASS
4	STEM	STAINLESS STEEL 304
5	BONNET	DUCTILE IRON ASTM A536
6	WEDGE NUT GASKET	RUBBER NBR
7	WASHERS	BRASS
8	O-RING	RUBBER NBR
9	GLAND	DUCTILE IRON ASTM A536
10	OPERATING NUT	DUCTILE IRON ASTM A536
11	BONNET GASKET	RUBBER NBR
12	BONNET / GLAND BOLT	STAINLESS STEEL



DIMENSIONS

SIZE	L	H	C	D	b	n-d	A	E	B
2"	8.27	10.31	4.74	6.19	0.63	2-0.75	3.54	2.50	2.66
3"	7.99	11.14	6.19	7.68	0.75	4-0.75	4.94	2.50	4.07
4"	9.02	13.80	7.50	9.09	0.75	4-0.88	6.02	2.50	4.90
6"	10.51	17.83	9.50	11.10	0.75	6-0.88	8.13	2.50	7.01
8"	11.50	22.01	11.75	13.39	0.87	6-0.88	10.28	2.50	9.15
10"	12.99	26.30	14.00	15.63	0.94	8-0.88	12.34	2.50	11.20
12"	14.02	29.65	16.26	17.87	1.00	8-0.88	14.45	2.50	13.31
14"	15.00	36.14	18.75	20.59	1.00	10-0.88	16.56	3.50	15.45
16"	15.98	38.39	21.00	22.83	1.00	12-0.88	18.66	3.50	17.55
18"	17.01	42.01	23.25	25.12	1.00	12-0.88	20.75	3.50	19.65
20"	17.99	47.20	25.50	27.36	1.13	14-0.88	22.85	3.50	21.75
24"	20.00	53.66	30.00	31.89	1.19	16-0.88	27.05	3.50	25.94