

## 848 Series Fire Protection Wafer Butterfly Valve

### SPECIFICATIONS

- VULCANIZED DISC DESIGN FOR BUBBLE-TIGHT SHUTOFF AT 300 PSI
- FLAG TYPE POSITION INDICATOR
- LOW TORQUE OPERATION, HIGH CYCLE LIFE
- LIGHT WEIGHT
- STEM HAS MULTIPLE SPLINE KEY STRUCTURE, WHICH TRANSFERS HIGHER TORQUE LOADS AND PROVIDES EXCEPTIONAL RELIABILITY
- BUILT-IN SUPERVISORY SWITCH
- TOP FLANGE CONFORMS TO ISO 5211/1
- FLANGES CONFORMS TO ANSI B16.1 CLASS125. EN1092-2 PN10/16. (OTHER TYPES AVAILABLE UPON REQUEST)
- FUSION BONDED EPOXY COATED INTERIOR AND EXTERIOR TO AWWA C550 STANDARD



### WORKING PRESSURE

- 300 PSI

### WORKING TEMPERATURE

- 14°F TO 180°F

### CERTIFICATIONS

- SIZES – 2" / 2.5" / 3" / 4" / 5" / 6" / 8" / 10" / 12"
- UL LISTED FOR ALL SIZES
- FM APPROVED FOR 2" / 2.5" / 3" / 4" / 5" / 6"

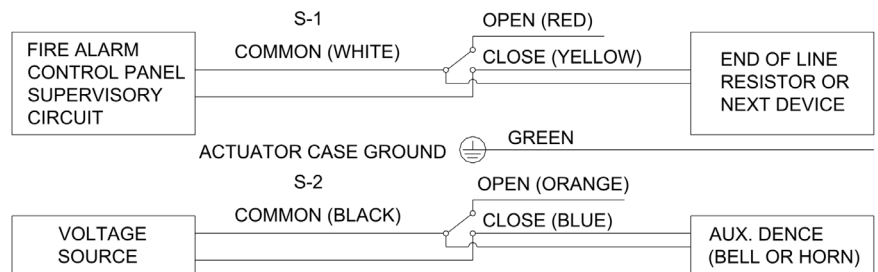


### INSTALLATION SHEET FOR GEAR OPERATOR WITH TAMPER SWITCH

BUTTERFLY VALVES ARE EQUIPPED WITH INTERNAL SUPERVISORY POSITION SWITCHES. THE TAMPER SWITCH OPERATES BY A CAM CONNECTED TO THE VALVE STEM. THE SWITCH WILL CHANGE POSITION AND CLOSE WITHIN TWO (2) FULL TURNS OF THE HAND WHEEL FROM THE FULLY OPEN POSITION.

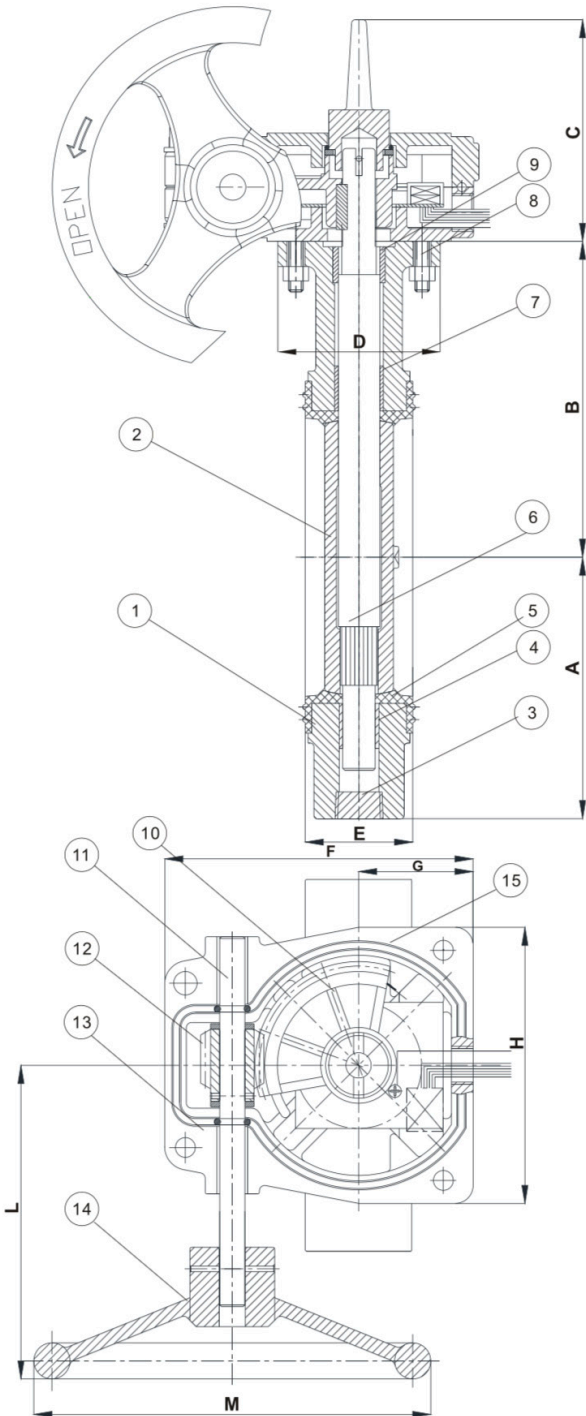
SWITCH #1: FOR CONNECTION TO THE SUPERVISORY CIRCUIT  
NORMALLY CLOSED: 2 YELLOW  
NORMALLY OPEN: 2 RED  
COMMON: 2 WHITE

SWITCH #2: AUXILIARY SWITCH CONNECTED PER AUTHORITY  
NORMALLY CLOSED: 1 BLUE  
NORMALLY OPEN: 1 ORANGE  
COMMON: 1 BLACK  
GROUND LEAD: 1 GREEN



- Notes:  
1. Item no. VSION 021 C2.  
2. Rated: 10A 125-250VAC.

## 848 Series Fire Protection Wafer Butterfly Valve



### COMPONENTS

NO.	MATERIAL	ASTM SPECIFICATIONS
1	BODY	DUCTILE IRON A536 65-45-12
2	DISC	DUCTILE IRON A536 65-45-12
3	PLUG	CARBON STEEL / CHROME PLATED
4	LOWER SHAFT SLEEVE	BRASS C67400
5	SEAT	RUBBER EPDM
6	STEM	STAINLESS STEEL AISI 431
7	UPPER STEM	STAINLESS STEEL AISI 431
8	BOLTS & NUTS	CARBON STEEL / ZINC PLATED
9	UPPER SHAFT SLEEVE	BRASS C67400
10	WORM GEAR	BRONZE C62300
11	WORM SHAFT	STAINLESS STEEL AISI 316
12	WORM	STAINLESS STEEL AISI 316
13	GASKET	RUBBER EPDM
14	HANDWHEEL	CAST IRON A126 CLASS B
15	GEAR BOX	CAST IRON A126 CLASS B

### DIMENSIONS

(INCHES)

SIZE	2"	2.5"	3"	4"	5"	6"	8"	10"	12"
A	4.33	4.65	5.12	5.71	6.30	6.89	7.87	9.84	10.83
B	2.91	3.35	3.74	4.53	5.12	5.71	6.69	8.19	9.37
D	3.54	3.54	3.54	3.54	3.54	3.54	4.92	4.92	4.92
E	1.69	1.81	1.81	2.05	2.20	2.20	2.36	2.70	3.13
C	4.72	4.72	4.72	4.72	4.72	4.72	6.30	6.30	6.30
F	6.69	6.69	6.69	6.69	6.69	6.69	8.86	8.86	8.86
G	2.56	2.56	2.56	2.56	2.56	2.56	3.35	3.35	3.35
H	6.10	6.10	6.10	6.10	6.10	6.10	8.11	8.11	8.11
L	5.91	5.91	5.91	5.91	5.91	5.91	7.87	7.87	7.87
M	7.87	7.87	7.87	7.87	7.87	7.87	11.81	11.81	11.81

### INTERNAL STRUCTURE OF GEAR OPERATOR

