

9805 Series Bugatti Mini Ball Valve FIP × MIP 1/8" - 1/2"

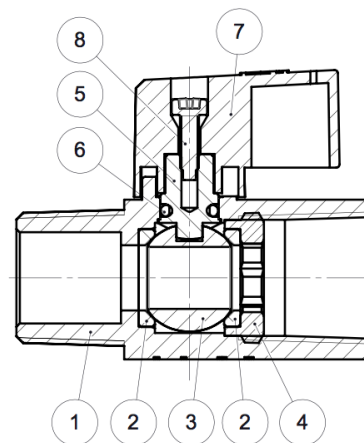
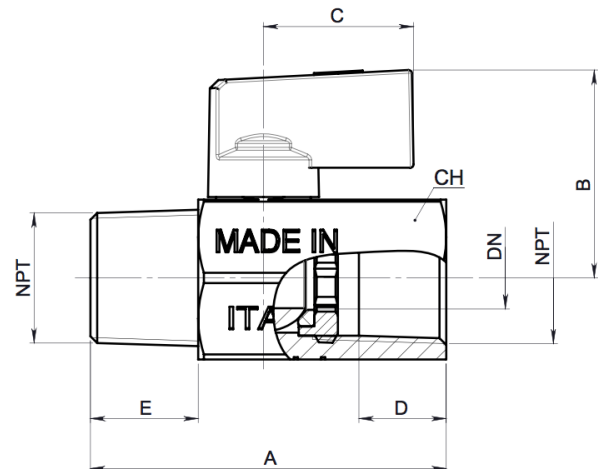


SPECIFICATION

- THREAD ENDS: ANSI B1.20.1
- OPERATOR: NYLON T-HANDLE
- NOMINAL PRESSURE (PN) IN BAR: 235 PSI
- DIRECTION OF FLOW: BOTH DIRECTIONS
- TEMPERATURE RANGE: -0/+80°C (+32/+176°F)

FEATURES

- NICKEL-PLATED
- BODY: BRASS CW617N
- ONE-PIECE
- FAST 1/4 TURN OPEN OR CLOSED OPERATION



COMPONENTS

NO.	PART NAME	MATERIAL
1	BODY	CW617N, NICKLE PLATED
2	BALL	PTFE
3	BALL	CW617N, NI+CR
4	BRASS RING	CW614N
5	STEM	CW614N
6	O-RING	NBR70SH
7	HANDLE	NYLON
8	SCREW	FE, ZINC PLATED

DIMENSIONS

(INCHES)

NPT	DN	A	B	C	D	E	CH
1/8"	0.23	1.50	1.17	0.9	0.31	0.26	0.83
1/4"	0.31	1.75	1.17	0.9	0.51	0.40	0.83
3/8"	0.31	1.81	1.17	0.9	0.51	0.41	0.83
1/2"	0.39	2.14	1.26	0.9	0.61	0.53	0.83